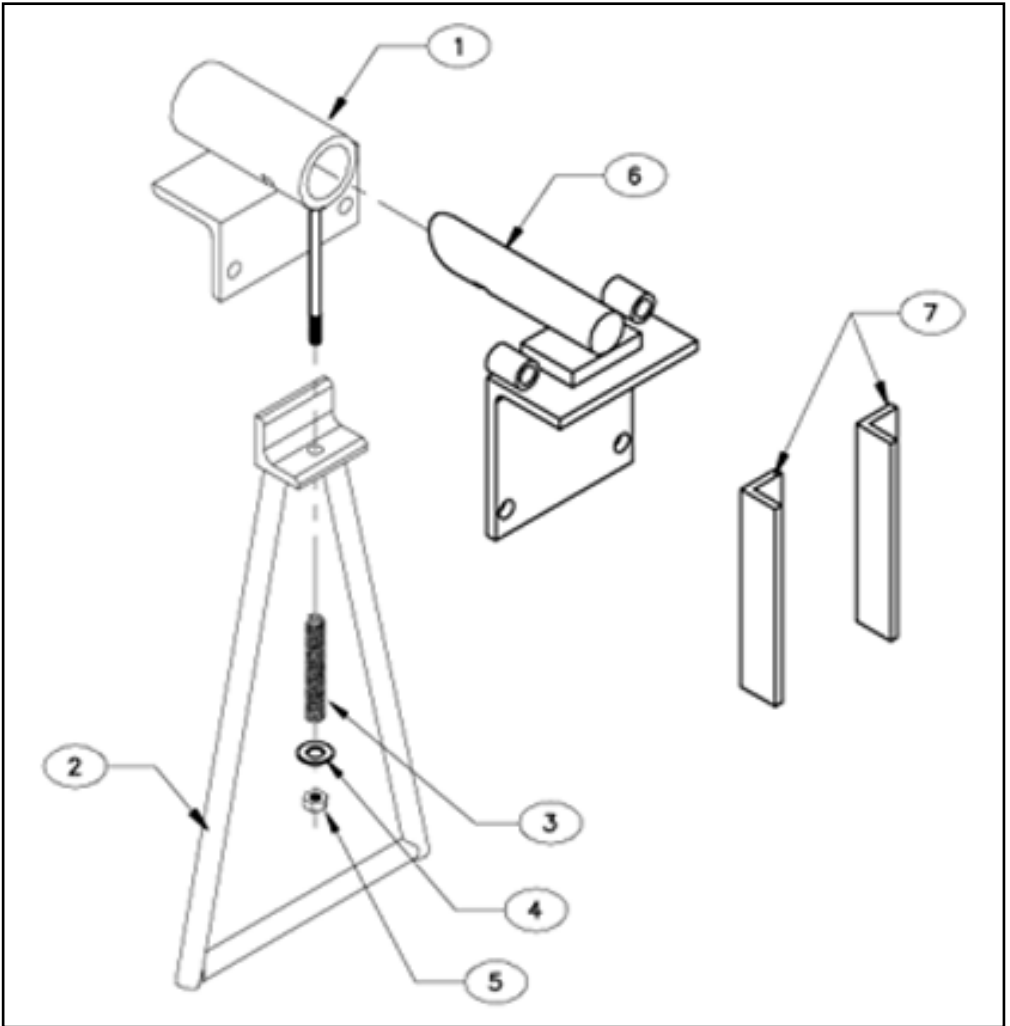


SIDE LATCH



REFERENCE #	PART #	DESCRIPTION	QTY
1	G03	Receiver Bracket	1
2	G04	Latch Handle	1
3	G05	Spring (L-2.00, W-.80)	1
4	G06	5/16" Flat Washer	1
5	G07	5/16" Nylock	1
6	G01	Bolt Bracket	1
7	G02	Angle Iron Clamp	2